

DIFFERENTIAL PRESSURE TRANSMITTER

WITH FIELD-SELECTABLE RANGES

PX274/277 Series

Current or Voltage Output

Starts at
\$195



books1.com
omega.com

- ✓ Up to 6 Field-Selectable Ranges in a Single Unit
- ✓ Rugged NEMA 4 (IP65) Enclosure with External Mounting Bracket
- ✓ Up to 10 psid Overpressure Without Zero Shift
- ✓ Short Circuit and Reverse Polarity Protected

The PX274 is a rugged differential pressure transmitter that offers up to 6 field-selectable ranges in one unit. It incorporates a rugged NEMA 4 (IP65) dust-proof and splashproof enclosure with an external mounting bracket.

SPECIFICATIONS

Excitation:

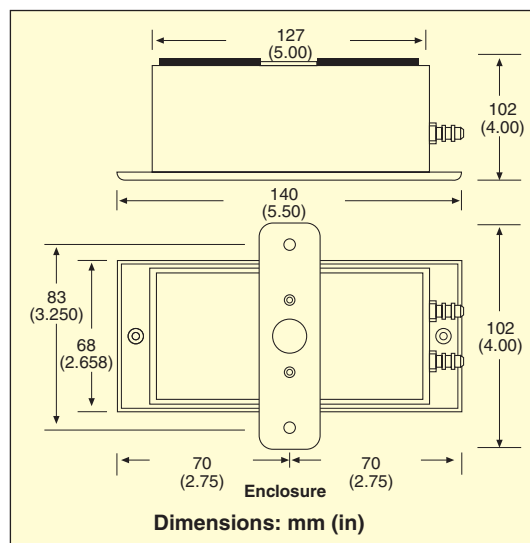
PX274: 12 to 40 Vdc
PX277: 12 to 35 Vdc

Output:

PX274: 4 to 20 mA (2 wire)
PX277: 0 to 5 or 0 to 10 Vdc

Accuracy: $\pm 1.0\%$ FS
Operating Temp: -18 to 80°C (0 to 175°F)
Compensated Temp: -4 to 65°C (25 to 150°F)
Thermal Effects: 0.02% FS/°C ($\pm 0.0125\%/^{\circ}\text{F}$)
Proof Pressure: 10 psi
Media Compatibility: Clean, dry air or inert gas
Pressure Fittings: 0.2" hose barbs (use $\frac{3}{16}$ " Tygon® tubing)
Termination: Screw terminal
Enclosure: Enamel coated, 18 GA steel, NEMA 4 (IP65) rated
Weight: 454 g (1.0 lb)

PX277-05D5V, \$195, shown smaller than actual size.



MOST POPULAR MODELS HIGHLIGHTED!

To Order (Specify Model Number)

CURRENT MODEL NO.	VOLTAGE MODEL NO.	SELECTABLE RANGES (inH ₂ O)	PRICE	COMPATIBLE METERS*
PX274-0.1DI	PX277-0.1D5V	0 to 0.1, -0.05 to +0.05	\$195	DP24-E, DP25B-E, DP41-E
PX274-01DI	PX277-01D5V	0 to 1.0, 0 to 0.5, 0 to 0.25 -0.5 to 0.5, -0.25 to 0.25, -0.125 to 0.125	195	DP24-E, DP25B-E, DP41-E
PX274-05DI	PX277-05D5V	0 to 5.0, 0 to 2.5, 0 to 1.25 -2.5 to 2.5, -1.25 to 1.25, -0.625 to 0.625	195	DP24-E, DP25B-E, DP41-E
PX274-30DI	PX277-30D5V	0 to 30, 0 to 15, 0 to 7.5, -15 to 15, -7.5 to 7.5, -3.75 to 3.75	195	DP24-E, DP25B-E, DP41-E

Comes with complete operator's manual.

* See section D for compatible meters.

Ordering Example: PX274-0.1DI, current output pressure transmitter with user-selectable ranges of 0 to 0.1 and -0.05 to 0.05 inH₂O, \$195.
PX277-05D5V, voltage output pressure transmitter with user-selectable ranges between ± 0.625 inH₂O and 0 to 5 inH₂O, \$195.

ACCESSORY

MODEL NO.	PRICE	DESCRIPTION
CE-1914	\$110.63	Reference Book: Fundamentals of Structural Analysis



UNITED STATES

www.omega.com
1-800-TC-OMEGA
Stamford, CT.

CANADA

www.omega.ca
Laval(Quebec)
1-800-TC-OMEGA

GERMANY

www.omega.de
Deckenpfronn, Germany
0800-8266342

UNITED KINGDOM

www.omega.co.uk
Manchester, England
0800-488-488

FRANCE

www.omega.fr
Guyancourt, France
088-466-342

CZECH REPUBLIC

www.omegaeng.cz
Karviná, Czech Republic
596-311-899

BENELUX

www.omega.nl
Amstelveen, NL
0800-099-33-44



More than 100,000 Products Available!

• Temperature

Calibrators, Connectors, General Test and Measurement Instruments, Glass Bulb Thermometers, Handheld Instruments for Temperature Measurement, Ice Point References, Indicating Labels, Crayons, Cements and Lacquers, Infrared Temperature Measurement Instruments, Recorders Relative Humidity Measurement Instruments, RTD Probes, Elements and Assemblies, Temperature & Process Meters, Timers and Counters, Temperature and Process Controllers and Power Switching Devices, Thermistor Elements, Probes and Assemblies, Thermocouples Thermowells and Head and Well Assemblies, Transmitters, Wire

• Flow and Level

Air Velocity Indicators, Doppler Flowmeters, Level Measurement, Magnetic Flowmeters, Mass Flowmeters, Pitot Tubes, Pumps, Rotameters, Turbine and Paddle Wheel Flowmeters, Ultrasonic Flowmeters, Valves, Variable Area Flowmeters, Vortex Shedding Flowmeters

• pH and Conductivity

Conductivity Instrumentation, Dissolved Oxygen Instrumentation, Environmental Instrumentation, pH Electrodes and Instruments, Water and Soil Analysis Instrumentation

• Data Acquisition

Auto-Dialers and Alarm Monitoring Systems, Communication Products and Converters, Data Acquisition and Analysis Software, Data Loggers Plug-in Cards, Signal Conditioners, USB, RS232, RS485 and Parallel Port Data Acquisition Systems, Wireless Transmitters and Receivers

• Pressure, Strain and Force

Displacement Transducers, Dynamic Measurement Force Sensors, Instrumentation for Pressure and Strain Measurements, Load Cells, Pressure Gauges, Pressure Reference Section, Pressure Switches, Pressure Transducers, Proximity Transducers, Regulators, Strain Gages, Torque Transducers, Valves

• Heaters

Band Heaters, Cartridge Heaters, Circulation Heaters, Comfort Heaters, Controllers, Meters and Switching Devices, Flexible Heaters, General Test and Measurement Instruments, Heater Hook-up Wire, Heating Cable Systems, Immersion Heaters, Process Air and Duct, Heaters, Radiant Heaters, Strip Heaters, Tubular Heaters