
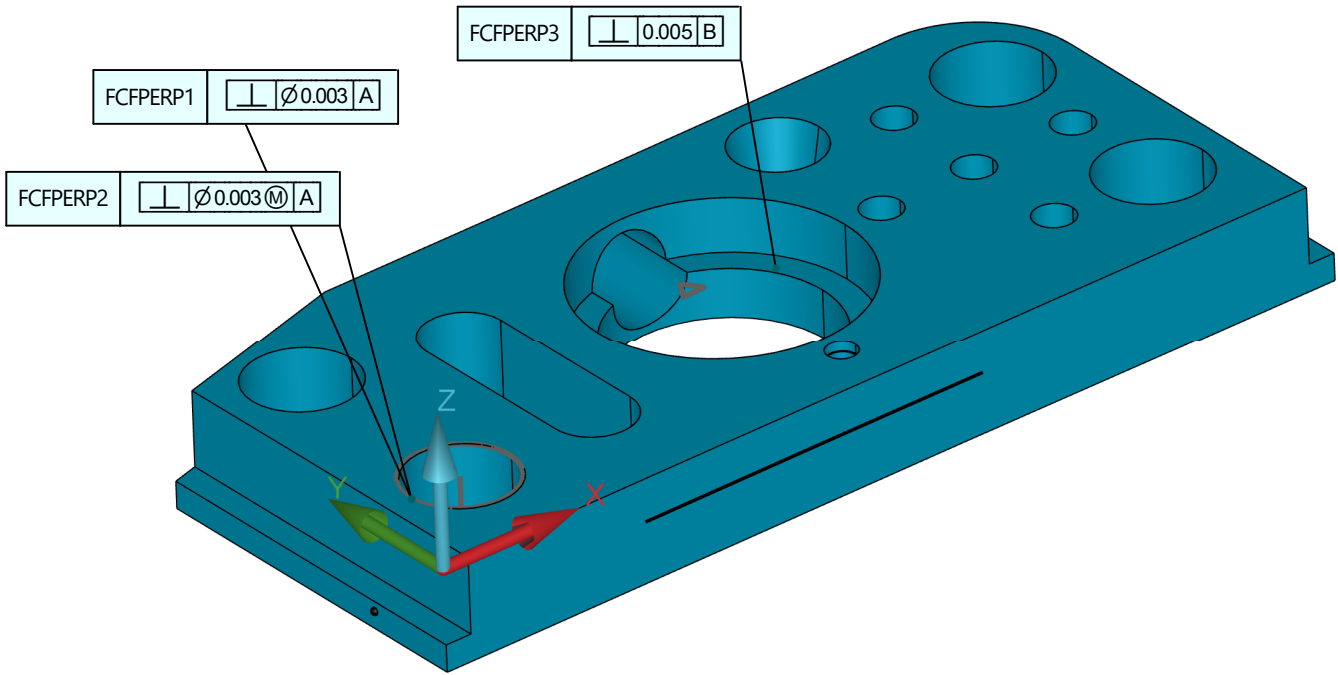
	PART NAME : Lab-4-Demo		October 28, 2024	11:45				
	REV NUMBER :		SER NUMBER :	STATS COUNT : 1				
FCFPARL1	IN	// 0.004 B	DEFAULT	ASME Y14.5				
Feature	NOMINAL	+TOL	-TOL	MEAS	DEV	OUTTOL	BONUS	
PLN-BACK	0.0000	0.0040	0.0000	0.0013	0.0013	0.0000	0.0000	



FCFPERP3	IN	0.005 B					DEFAULT	ASME Y14.5
Feature	NOMINAL	+TOL	-TOL	MEAS	DEV	OUTTOL	BONUS	
PLN-TOP	0.0000	0.0050	0.0000	0.0087	0.0087	0.0037	0.0000	
FCFPERP1 Size	IN	$\varnothing 1 +0.005/-0.005$					DEFAULT	ASME Y14.5
Feature	NOMINAL	+TOL	-TOL	MEAS	DEV	OUTTOL		
CYL1	1.0000	0.0050	0.0050	1.0006	0.0006	0.0000		
FCFPERP1	IN	$\varnothing 0.003$ A					DEFAULT	ASME Y14.5
Feature	NOMINAL	+TOL	-TOL	MEAS	DEV	OUTTOL	BONUS	
CYL1	0.0000	0.0030	0.0000	0.0025	0.0025	0.0000	0.0000	
FCFPERP2 Size	IN	$\varnothing 1 +0.005/-0.005$					DEFAULT	ASME Y14.5
Feature	NOMINAL	+TOL	-TOL	MEAS	DEV	OUTTOL		
CYL1	1.0000	0.0050	0.0050	1.0006	0.0006	0.0000		
FCFPERP2	IN	$\varnothing 0.003$ M A					DEFAULT	ASME Y14.5
Feature	NOMINAL	+TOL	-TOL	MEAS	DEV	OUTTOL	BONUS	
CYL1	0.0000	0.0030	0.0000	0.0025	0.0025	0.0000	0.0056	