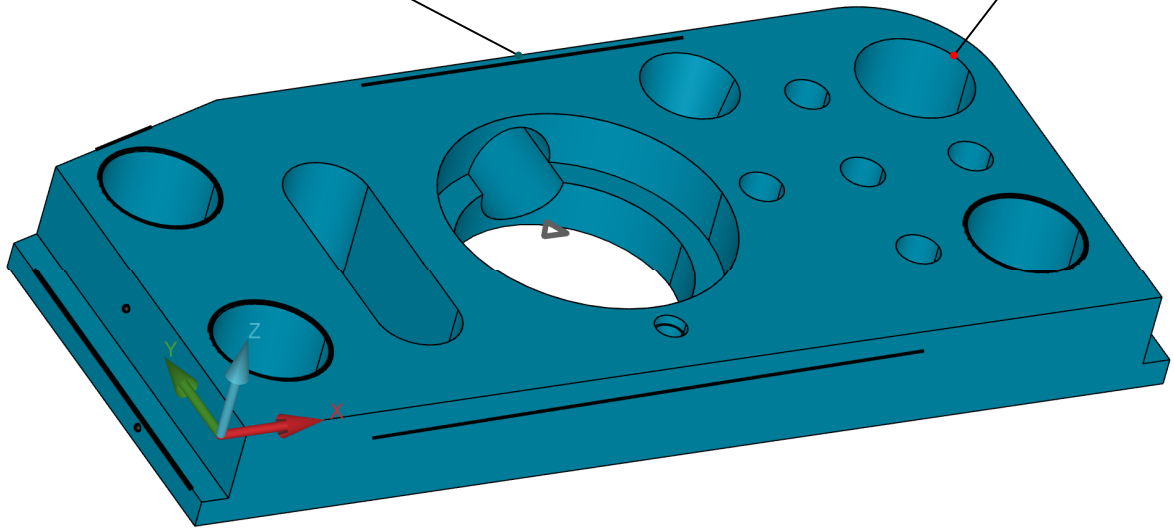
		PART NAME : Lab-1-KevinDemo		October 02, 2024		10:35		
		REV NUMBER : 1	SER NUMBER :		STATS COUNT : 1			
#	IN	LOC4 - CIR1						
AX		NOMINAL	+TOL	-TOL	MEAS	DEV	OUTTOL	
X		1.0000	0.0020	0.0020	0.9867	-0.0133	0.0113	
Y		1.0000	0.0020	0.0020	1.0131	0.0131	0.0111	
D		1.0000	0.0020	0.0020	1.0009	0.0009	0.0000	
#	IN	LOC1 - CIR2						
AX		NOMINAL	+TOL	-TOL	MEAS	DEV	OUTTOL	
X		1.0000	0.0020	0.0020	0.9947	-0.0053	0.0033	
Y		3.0000	0.0020	0.0020	3.0130	0.0130	0.0110	
D		1.0000	0.0020	0.0020	1.0010	0.0010	0.0000	
#	IN	LOC2 - CIR3						
AX		NOMINAL	+TOL	-TOL	MEAS	DEV	OUTTOL	
X		8.0080	0.0020	0.0020	7.9936	-0.0144	0.0124	
Y		1.0000	0.0020	0.0020	0.9835	-0.0165	0.0145	
D		1.0000	0.0020	0.0020	1.0009	0.0009	0.0000	

LIN-BACK - LIN-ANGLE

CIR4



⊞	IN	LOC3 - CIR4					
AX		NOMINAL	+TOL	-TOL	MEAS	DEV	OUTTOL
X		7.7500	0.0020	0.0020	7.7524	0.0024	0.0004
Y		2.9500	0.0020	0.0020	2.9860	0.0360	0.0340
D		2.0000	0.0020	0.0020	1.9944	-0.0056	0.0036
∠	DEG	ANGL1 - LIN-BACK TO LIN-ANGLE					
AX		NOMINAL	+TOL	-TOL	MEAS	DEV	OUTTOL
A		16.0000	0.0004	0.0004	15.8371	-0.1629	0.1625